

## Safety Precautions

Read all safety precautions and installation instructions carefully before installing or servicing this fixture. Failure to comply with these instructions could result in potentially fatal electric shock and/or property damage.

It is recommended that a qualified electrician perform all wiring. This fixture must be wired in accordance with all national and local electrical codes.

Do not handle any energized fixture or attempt to energize any fixture with wet hands or while standing on a wet or damp surface or in water.

Make sure that the power source conforms to the requirements of the fixture (see labels on fixture) Do not use on a dimming circuit.

To reduce the risk of electrical shock, and to assure proper operation, this fixture must be adequately grounded. To accomplish proper grounding, there must be a separate ground wire (green) or bare metal contact (metal conduit) between this fixture and the ground connection of your main power supply panel.

This fixture is intended to be used for general indoor lighting in dry or damp locations only.

## Assembly Instructions

### 1. Preparing for installation

- A. **Disconnect electrical power** before installing or servicing any part of this fixture
- B. Remove fixture; place the frame (7) and the bag with hardware off to the side

### 2. Wiring.

**All wiring must take place inside junction box. Caution:** Make sure power is off at fuse or circuit breaker box. Check power wires for damage or scrapes. If power supply wires are within three inches of ballast use wire suitable for at least 90C (194F). **Note:** Most dwellings built before 1985 have supply wire rated to 60C. Consult a qualified electrician before installing.

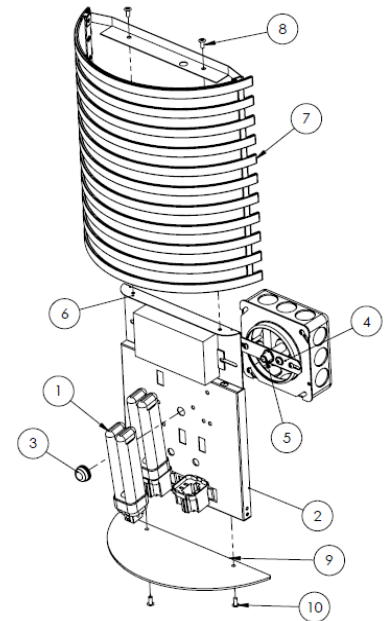
- A. This unit will not operate properly unless connected to a “grounded” electrical circuit. Electrical shock, over heating, low or no light output, and shortened lamp life can result if proper grounding is not done. Securely attach green (or green and yellow) wire to back of fixture with provided hardware.
- B. Using wire connectors (provided), connect white supply wire to white ballast lead. Connect black hot supply wire to black ballast lead. **Do not mix wires.** Pull on each wire lead to make sure connections are secure. Make certain no bare wires are exposed outside of wire connectors. **Note:** fixtures with universal voltage power supplies are pre-wired with a disconnect. Refer to the included guide for using the disconnect.

### 3. Fixture mounting

- A. Back pan mounting options
  1. Gem Bar Mounting – Secure gem bar (4) (provided) to junction box (not supplied) with #8-32 x 1” screws (provided) Install 2” stem (5)(provided) into the gem bar. Use the lock nut to secure stem at the proper length. Install Back pan (2) over stem and secure in place with knob (3). (Note: Adjust length of stem to create secure fit.)
  2. Secure to junction box – Holes supplied in back pan (2) enable direct mounting to junction box (not supplied)
  3. Secure to Wall – Holes supplied in back pan (2) enable direct wall mounting (hardware not supplied)
  4. Install appropriate lamps (1) (not supplied) by inserting lamp pins into lamp holder and press until lamp snaps in place

### 4. Frame installation

- A. To install the frame (7), remove frame screws from back pan at location (6). Align frame (7) above back pan (2), Slide diffuser down over back pan (2). Secure with 2 mounting screws (8) provided
- B. Restore power at fuse or circuit breaker box
- C. Install lower diffuser (9), using supplied screws (10) to secure to back pan (2)



#### Limited Factory Warranty

AFX Inc. hereby warranty that this fixture is free from defects in materials and workmanship when installed and used under normal operating conditions for a period of 2 years from date of shipment from factory. This warranty covers all component parts and extends only to replacement of defective fixture or components; it does not cover failure due to improper installation, misuse, mishandling or damage incurred in transit.