



LOCATION		DATE
PREPARED BY		QUANTITY
COMMENTS		FIXTURE TYPE
CATALOG NUMBER		

Bilbao Sconce BBS Series

Features

Geometric banded wall mount sconce is ADA compliant and provides low brightness control. Open top and bottom for wall wash effect. Fixture mounts to standard junction box (not included).

Construction

Back plate is die-formed of 22-gauge steel. Frame consists of .06" aluminum extruded bands that are screwed to vertical supports. Standard mounting holes and hardware are included. Power supply connections must be made inside a junction box (not included).

Finish

Back plate is finished in lighting grade white baked gloss enamel paint. Frame assembly consists of extruded satin aluminum bands with clear lacquer topcoat.

Diffuser

Diffuser is .100" thick frosted white slump glass.

Electrical

UL listed programmed-start, electronic high power factor ballast; 120-277V universal 50/60Hz AC.

Lamping

For use with 2/13, 2/18 or 2/26 watt compact fluorescent 4-pin quad lamps; supplied by others.

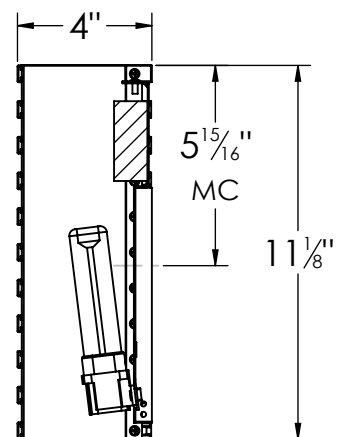
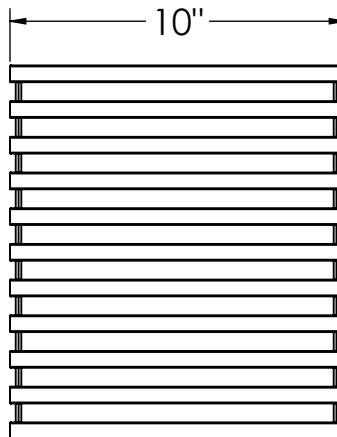
Certification

All fixtures are cULus listed for damp locations.
ADA

Options (consult factory)

Dimming
LED

Specifications and dimensions
subject to change without notice.



MC - Mounting Center

Ordering Information:

Satin Aluminum	Qty.	Lamp	H	W	D
BBS1011213QMVSA (BBS213SAMV)	2	13W CFQ 4-Pin	11-1/8"	10"	4"
BBS1011218QMVSA (BBS218SAMV)	2	18W CFQ 4-Pin	11-1/8"	10"	4"
BBS1011226QMVSA (BBS226SAMV)	2	26W CFQ 4-Pin	11-1/8"	10"	4"

Please Note: Part numbers have changed.