

# LED Outdoor Sconce Luminaires Surface Mount 120-277VAC / 60Hz

Models # PSDW071223LAJD2xx  
PSDW071833LAJD2xx

## Safety Precautions

- Read all safety precautions and installation instructions carefully before installing or servicing this fixture. Failure to comply with these instructions could result in potentially fatal electric shock and/or property damage.
  - It is recommended that a qualified electrician perform all wiring. This fixture must be wired in accordance with all national and local electrical codes.
  - Do not handle any energized fixture or attempt to energize any fixture with wet hands or while standing on a wet or damp surface or in water.
  - This fixture is designed for use in a 120-277VAC, 60Hz fused circuit and can be used in conjunction with 0-10V dimmers.
  - To reduce the risk of electrical shock, and to assure proper operation, this fixture must be adequately grounded. To accomplish proper grounding, there must be a separate ground wire (green) contact between this fixture and the ground connection of your main power supply panel.
  - This fixture is intended to be used for general indoor or outdoor lighting in dry, damp or wet locations. For wet locations, fixture must be mounted at least 48 inches above ground level.
  - Disclaimer  
Changes or modifications not expressly approved by the party responsible for compliance could void the user's authority to operate the equipment. NOTE: This equipment has been tested and found to comply with the limits for a Class B digital device, pursuant to Part 15 of the FCC Rules and Canadian ICES-005 (B) / NMB-005 (B). These limits are designed to provide reasonable protection against harmful interference in a residential installation. This equipment generates uses and can radiate radio frequency energy and, if not installed and used in accordance with the instructions, may cause harmful interference to radio communications. However, there is no guarantee that interference will not occur in a particular installation. If this equipment does cause harmful interference to radio or television reception, which can be determined by turning the equipment off and on, the user is encouraged to try to correct the interference by one or more of the following measures:
    - Reorient or relocate the receiver antenna.
    - Increase the separation between the equipment and receiver.
    - Connect the equipment into an outlet on a circuit different from that to which the receiver is connected.
    - Consult with the dealer or an experienced radio/TV technician for help.
- Any modifications to this fixture may void the warranty and interfere with the safe operation of the luminaire.  
Operation is subject to the following two conditions: (1) this device may not cause interference, and (2) this device must accept any interference, including interference that may cause undesired operation of the device.

## Assembly Instructions

### 1. Preparing for installation, refer to Figs. 2/3.

- Disconnect electrical power before installing or servicing any part of this fixture.
- Remove all parts and parts bags from carton.
- Note this fixture is suitable for Reversible installation – Top to Bottom.
- Separate fixture back pan (5), mounting bracket (2) and fixture diffuser (7).
- Install mounting bracket (2) to junction box (not included) with two #8-32 screws (4).
- For PSDW071223LAJD2xx, proceed to Step 2.
- For PSDW071833LAJD2xx, temporary mount back pan (5) to the mounting bracket and mark hole (9) with pencil. Remove back pan and drill appropriate size hole for plastic anchor (11) if used over drywall or small pilot hole if going into wood.

(Note: LASW051728LAJD2xx fixture does not require mounting slots, screws and plastic anchors not provided.)

### 2. Color Temperature (CCT) Adjustment (if desired), refer to Fig.1.

- In rear of fixture, locate CCT Dip Switches.
- Adjust two switches to desired color temp as shown at right, choose 3000K, 3500K or 4000K.
- Note: **Fixture is preset to 3500K from factory.**

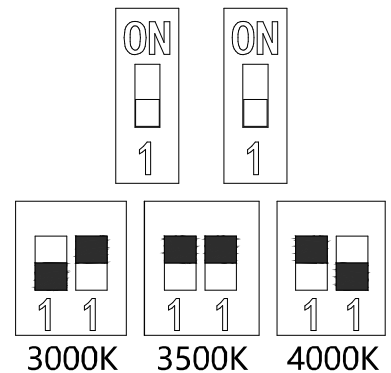
### 3. Wiring.

**All wiring must take place inside junction box.**

**Caution:** Make sure power is off at fuse or circuit breaker box. Check power wires for damage or scrapes. If power supply wires are within three inches of driver use wire suitable for at least 90°C (194°F). **Note:** Most dwellings built before 1985 have supply wire rated to 60°C. Consult a qualified electrician before installing.

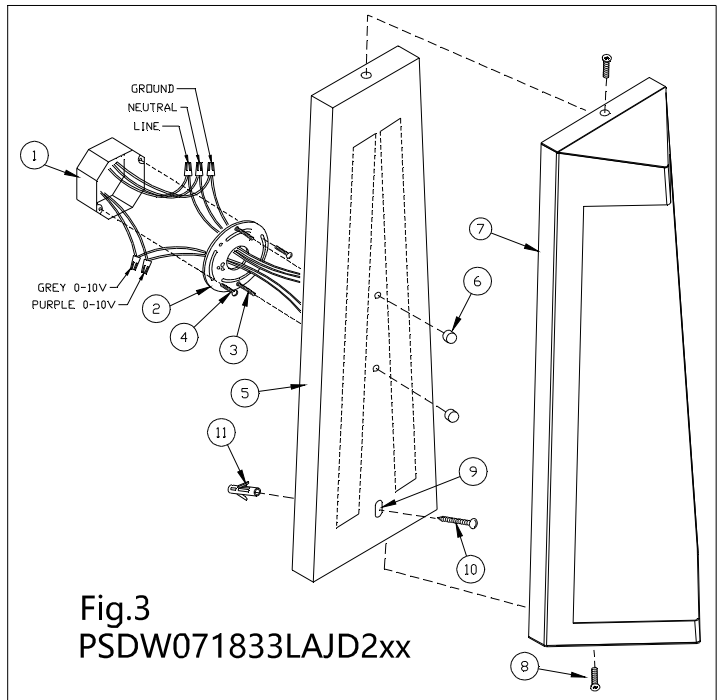
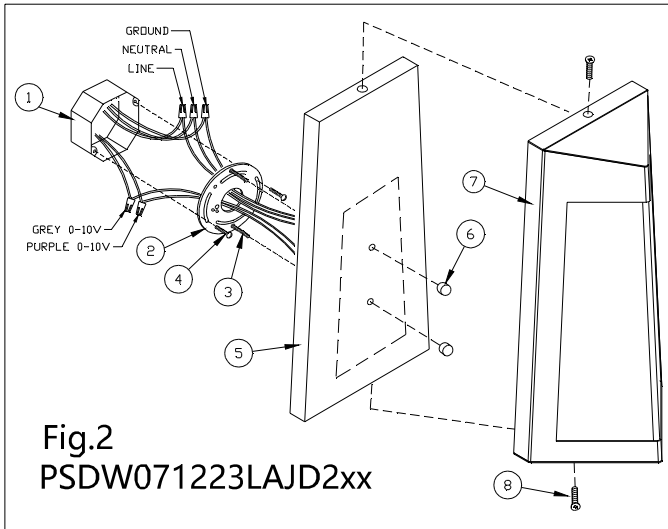
- This unit will not operate properly unless connected to a "grounded" electrical circuit. Electrical shock, overheating, low or no light output, and shortened LED life can result if proper grounding is not done. Securely attach power source ground wire and fixture copper ground wire to green ground screw on mounting bracket.
- Make all wire connections to appropriate wire. Secure with wire nuts (provided).
- For Non-dimming.** Fixture will operate normally w/o a connection to a dimmer. Connect white fixture lead to white (N) wire from supply power source. Connect black fixture lead to black (L) wire from supply power source. Make sure to cap gray and purple wires separately to prevent shorting.
- For 0-10V dimming.** Connect grey wire from the fixture to the dimmer source grey wire. Connect purple wire from the fixture to the dimmer source purple wire. Connect white fixture lead to white (N) wire from supply power source. Connect black fixture lead to black (L) wire from supply power source.
- Do not mix wires.** Pull on each wire lead to make sure connections are secure. Make certain no bare wires are exposed outside of wire connectors.

Fig.1  
**CCT Dip Switch**



**LED Outdoor Sconce Luminaires**  
**Surface Mount**  
**120-277VAC / 60Hz**

**Models # PSDW071223LAJD2xx**  
**PSDW071833LAJD2xx**



**4. Fixture back pan mounting.**

- A. For **PSDW071223LAJD2xx**, install fixture back pan (5) to mounting bracket (2) by aligning to two studs (3) then secure with two thumb nuts (6).
- B. For **PSDW071833LAJD2xx**, install fixture back pan (5) to mounting bracket (2) by aligning to two studs (3) then secure with two thumb nuts (6). For additional support use wood screw (10) on previously drilled hole or plastic anchor (11).

**5. Diffuser installation.**

- A. Install diffuser (7) to the back pan (5) by aligning top and bottom holes then secure with two #8-32 screws (8).

**6. For Wet Location Use:**

- A. Apply a small amount of silicone (not included) per manufacturer's instruction around screws (8) and around the diffuser (7) where it contacts with the surface of the wall on top and two sides, but not on bottom.

**7. Restore power at fuse or circuit breaker box.**

**Limited Factory Warranty**

AFX Inc. hereby warrants that this fixture is free from defects in materials and workmanship when installed and used under normal operating conditions for a period of 5 years from date of shipment from factory. This warranty covers all component parts and extends only to replacement of defective fixture or components; it does not cover failure due to improper installation, misuse, mishandling, or damage incurred in transit.